

# GLT Forged Steel Gate Valve Class 150/300/600

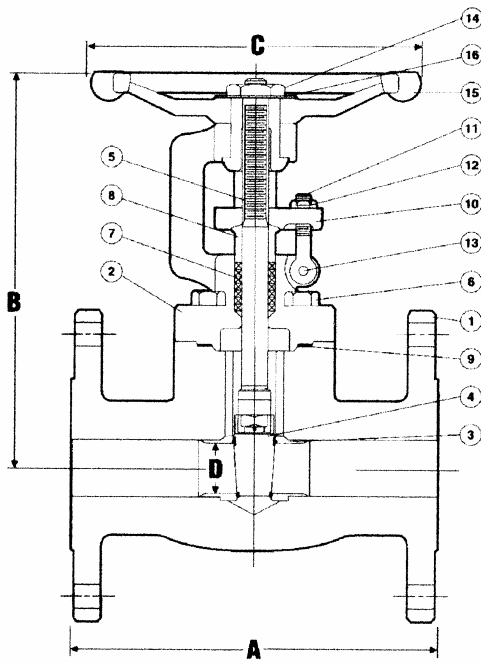
Figure Number:

1A2F1 – Class 150, Regular Port, Flanged Ends

1A2F3 – Class 300, Regular Port, Flanged Ends

1A2F6 – Class 600, Regular Port, Flanged Ends

- API Standard 602
- Forged Steel Gate Valve
- Outside Screw and Yoke
- Bolted Bonnet
- ANSI B16.5 Flange Ends



## Standard Material of Parts

No.	Parts	ASTM Materials Specs.		
1	Body	A105	A182-F304	A182-F316
2	Bonnet	A105	A182-F304	A182-F316
3	Seat Ring	A276-410+STL	A276-304+STL	A276-316+STL
4	Wedge	A276-420	A276-304+STL	A276-316+STL
5	Stem	A276-410	A276-304	A276-316
6	Bonnet Bolt	A193-B7	A193-B8	A193-B8M
7	Packing	Grafoil	PTFE	
8	Gland	A276-410	A276-304	A276-316
9	Gasket	304+Graphite	316+Graphite	
10	Gland Flange	A216-WCB	A351-CF8	
11	Eye Bolt	A276-410	A276-304	
12	Eye Bolt Nut	A194-2H	A194-8	
13	Eye Bolt Pin	A276-410	A276-304	
14	Stem Nut	A108-1020		
15	Handwheel	A197		
16	Nameplate	Aluminum		

## REGULAR PORT Dimensions

Size	In	1/2"	3/4"	1"	1¼"	1½"	2"
	mm	15	20	25	32	40	50
Face to Face (A) - 150#	mm	108	117	127	140	165	178
Face to Face (A) - 300#	mm	140	152	165	178	190	216
Face to Face (A) - 600#	mm	165	190	216	229	241	292
Valve Open Height (B)	mm	166	169	193	230	246	290
Handwheel Diameter (C)	mm	100	100	125	160	160	180
Seat Port Diameter (D)	mm	10	13.6	18	24	29	36.8
Weight - 150#	kg	3.2	4.8	7.7	9.8	10.8	18.5
Weight - 300#	kg	4.8	6.2	9.3	14.0	15.5	23.4
Weight - 600#	kg	5.9	7.4	10.4	16.2	17.5	28.3

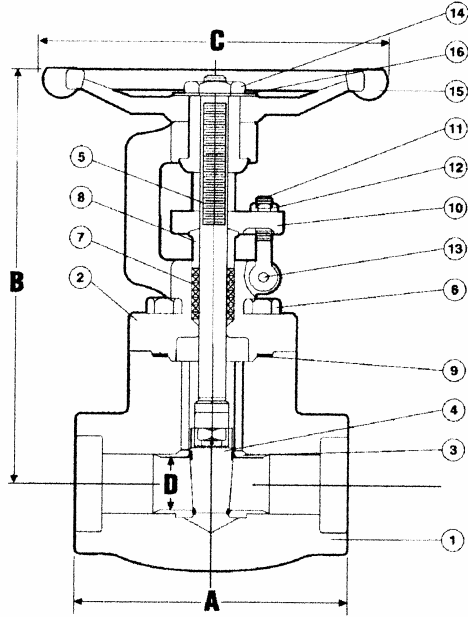
- Valves come in standard ASTM material specifications.
- Other body, bonnet, and trim materials available upon request.

# GLT Forged Steel Gate Valve Class 800

Figure Number:

- 1A1F8 - T – Full Port, Screwed Ends
- 1A1F8 - W – Full Port, Socketweld Ends
- 1A2F8 - T – Regular Port, Screwed Ends
- 1A2F8 - W – Regular Port, Socketweld Ends

- API Standard 602
- Forged Steel Gate Valve
- Outside Screw and Yoke
- Bolted Bonnet



## Standard Material of Parts

No.	Parts	ASTM Materials Specs.		
1	Body	A105	A182-F304	A182-F316
2	Bonnet	A105	A182-F304	A182-F316
3	Seat Ring	A276-410+STL	A276-304+STL	A276-316+STL
4	Wedge	A276-420	A276-304+STL	A276-316+STL
5	Stem	A276-410	A276-304	A276-316
6	Bonnet Bolt	A193-B7	A193-B8	A193-B8M
7	Packing	Grafoil	PTFE	
8	Gland	A276-410	A276-304	A276-316
9	Gasket	304+Graphite	316+Graphite	
10	Gland Flange	A216-WCB	A351-CF8	
11	Eye Bolt	A276-410	A276-304	
12	Eye Bolt Nut	A194-2H	A194-8	
13	Eye Bolt Pin	A276-410	A276-304	
14	Stem Nut	A108-1020		
15	Handwheel	A197		
16	Nameplate	Aluminum		

## REGULAR PORT Dimensions

Size	In	1/4"	3/8"	1/2"	3/4"	1"	1 1/4"	1 1/2"	2"	2 1/2"	3"
		mm	8	10	15	20	25	32	40	50	65
End to End (A)	mm	79	79	79	92	111	120	120	140	178	185
Valve Open Height (B)	mm	166	166	166	169	193	230	246	283	330	359
Handwheel Diameter (C)	mm	100	100	100	100	125	160	160	180	200	200
Seat Port Diameter (D)	mm	7	7	10	13.6	18	24	29	36.8	46.5	51
Weight	kg	2.3	2.2	2.1	2.3	4.5	5.9	6.7	11.2	15.8	20

## FULL PORT Dimensions

Size	In	1/4"	3/8"	1/2"	3/4"	1"	1 1/4"	1 1/2"	2"
		mm	8	10	15	20	25	32	40
End to End (A)	mm	-	79	92	111	120	120	140	178
Valve Open Height (B)	mm	-	166	169	193	230	246	283	330
Handwheel Diameter (C)	mm	-	100	100	125	160	160	180	200
Seat Port Diameter (D)	mm	-	10	13.6	18	24	29	36.8	46.5
Weight	kg	-	2.1	2.3	4.0	5.9	6.9	11.2	15.8

- Valves come in standard ASTM material specifications.
- Other body, bonnet, and trim materials available upon request.